

TRIPLE CROWN

T R A I L E R S I N C.

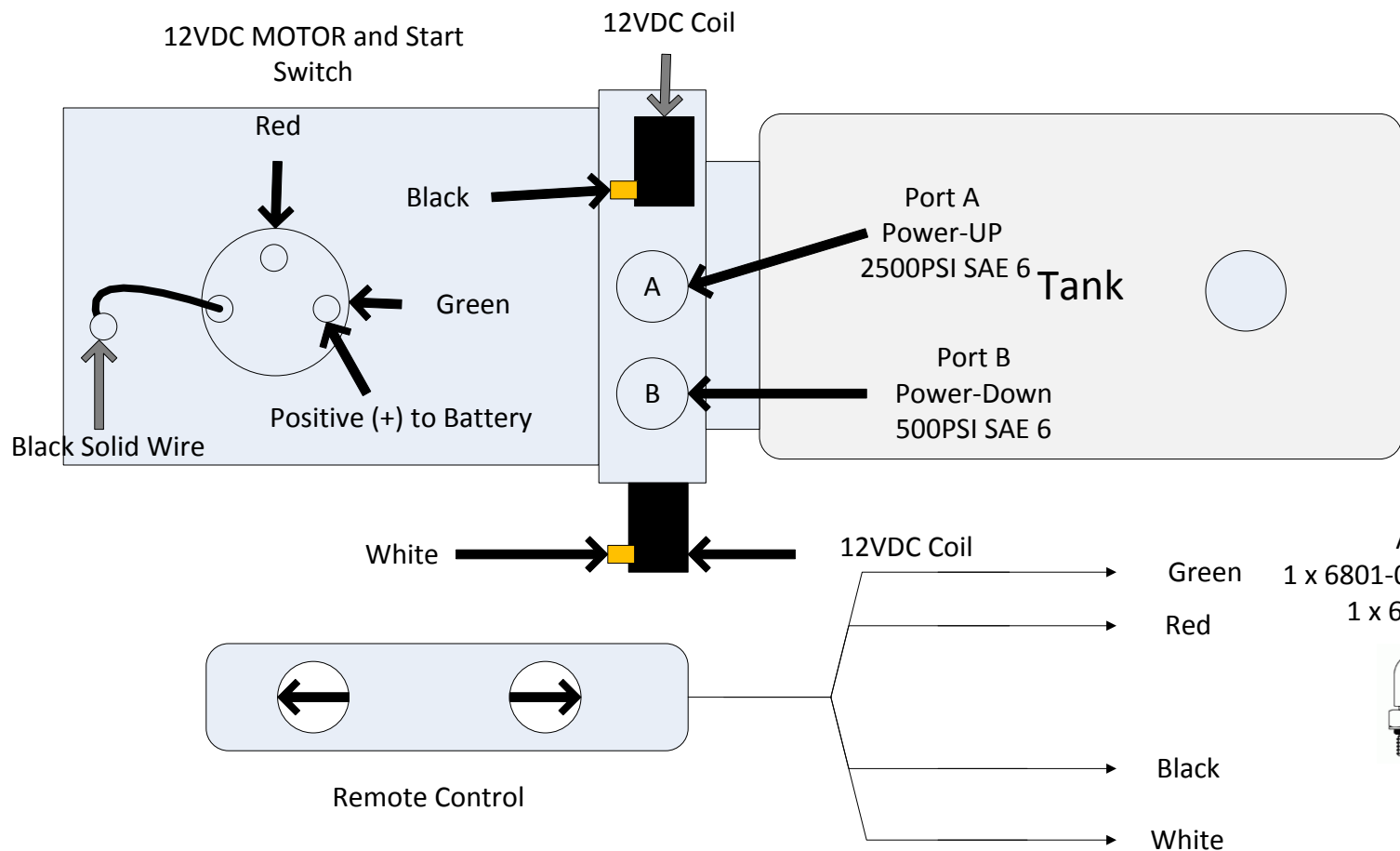
DB-1631 Double Acting Hydraulic Pump

Fluid:
ATF Dextron or AW-32

Battery:
700 AMPS cranking
and 200 AMPS running
is required (6 GAUGE
WIRE)

Ground:
Ground unit by bolting
to trailer or use bolts
holes underneath unit.

Caution:
Do not use BLACK
SOLID Wire to Ground
Unit



A&B PORTS REQUIRE:
1 x 6801-06-06 | JIC to O-Ring Elbow 90°
1 x 6400-06-06 | JIC to O-Ring

